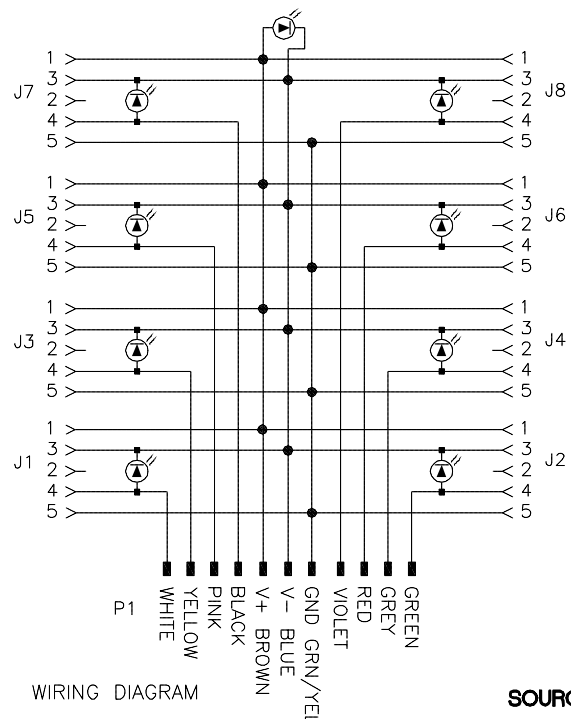
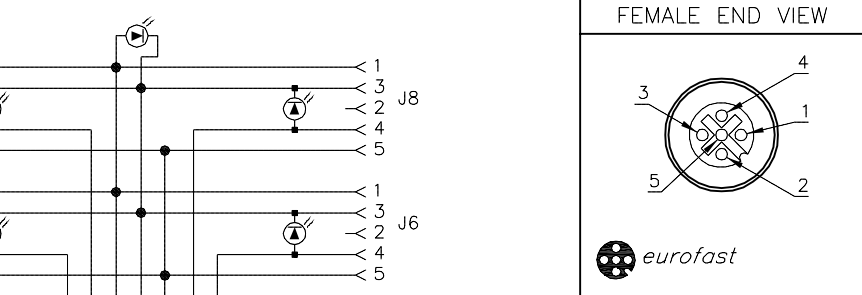
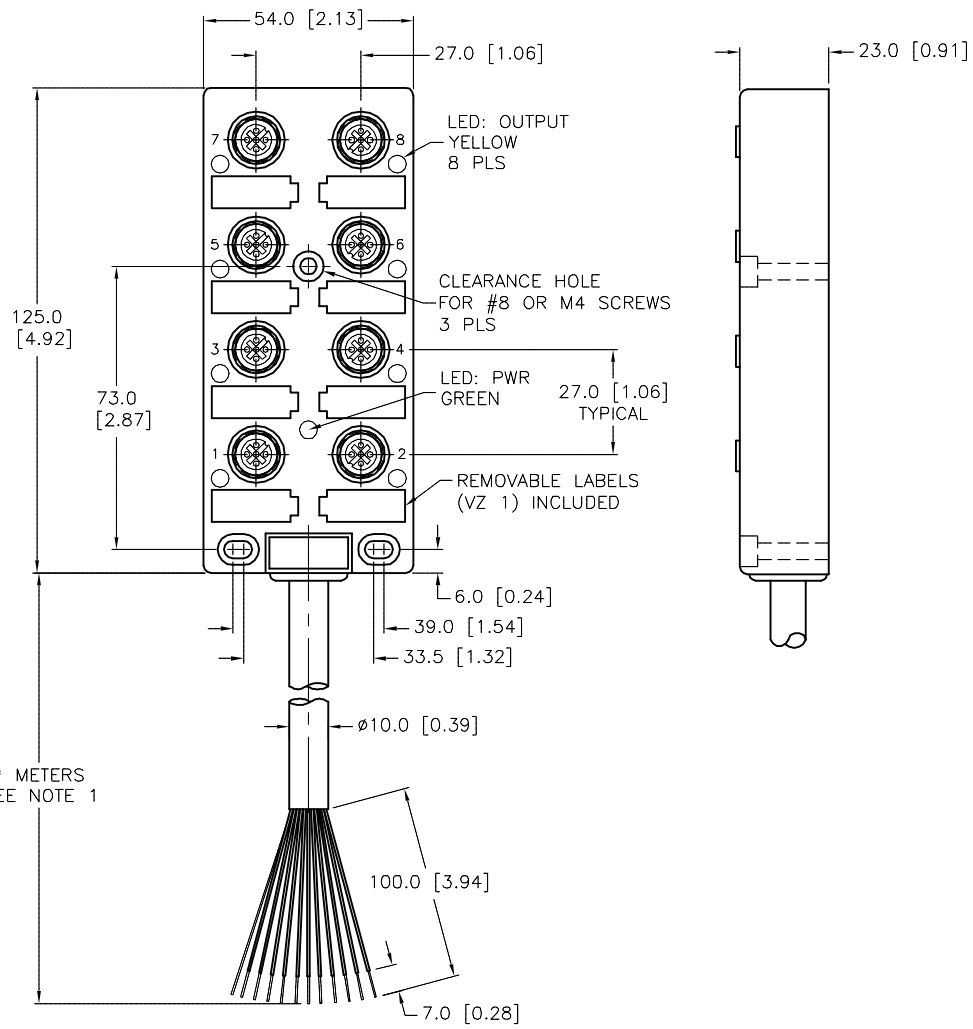


SPECIFICATIONS	
NUMBER OF CONDUCTORS [AWG]	11x18 AWG
DRAIN/SHIELD	20 AWG DRAIN/POLYESTER FOIL SHIELD
CONDUCTOR INSULATION MATERIAL	PVC
OUTER JACKET MATERIAL/COLOR	TPU/YELLOW
HOUSING MATERIAL/COLOR	NYLON/YELLOW
RECEPTACLE MATERIAL/PLATING	BRASS/NICKEL
CONTACT CARRIERS/COLOR	NYLON OR TPU/BLACK
CONTACT MATERIAL/PLATING	BRASS/GOLD
SEALING RING MATERIAL	FKM/FPM
OPERATING VOLTAGE	10-48 VDC
OPERATING CURRENT	4.0 AMPS PER PORT, 5.0 AMPS TOTAL
LED FUNCTION	for PNP SENSOR OUTPUT
PROTECTION CLASS to DIN 40050	IP 67 - ONLY WHEN ALL RECEPTACLES ARE COVERED WITH PLUGS OR CONNECTED
OPERATING TEMPERATURE	-40°C to +80°C (-40°F to +176°F)



* METERS SEE NOTE 1

CABLE LENGTH	TOLERANCE*
ALL LENGTHS	+ 4% (OR 50mm) OF LENGTH - 0% (OR 0mm) OF LENGTH WHICHEVER IS GREATER
STRIP LENGTH	TOLERANCE*
0-7mm	±0.5mm
8-29mm	±1.0mm
30-49mm	±2.0mm
50-69mm	±3.0mm
70-100mm	±4.0mm
OVER 100mm	±5.0mm

* UNLESS OTHERWISE SPECIFIED



CLOSURE CAPS (2 INCLUDED)

- NOTES:
- "*" INDICATES CABLE LENGTH IN METERS. CONTACT TURCK TO ORDER SPECIFIC LENGTHS.
 - "/S90" DESIGNATES POLYURETHANE (TPU) CABLE JACKET.

SOURCE DRAWING - FOR REFERENCE ONLY

RELATED DOCUMENTS	3RD ANGLE PROJECTION	THIS DRAWING IS CONFIDENTIAL AND THE PROPERTY OF TURCK INC. USE OF THIS DOCUMENT WITHOUT WRITTEN PERMISSION IS PROHIBITED.		3000 CAMPUS DRIVE MINNEAPOLIS, MN 55441 1-800-544-7769 (763) 553-7300 (763) 553-0708 fax www.turck.us	
1.		DRFT	RDS	DATE	03/31/08
2.		APVD		SCALE	1=2.0
3.	<p>ALL DIMENSIONS DISPLAYED ON THIS DRAWING ARE FOR REFERENCE ONLY</p>	UNIT OF MEASUREMENT			DESCRIPTION VB 80-P7X9-*/S90
4.		MILLIMETER [INCH]			
MATERIAL	<p>CONTACT TURCK FOR MORE INFORMATION</p>	DO NOT SCALE THIS DRAWING			IDENTIFICATION NO.
SEE SPECIFICATIONS		FILE: 777021390			REV E
FINISH	SEE SPECIFICATIONS	SHEET 1 OF 1			

E	UPDATED SEALING MATERIAL PER ECO	TV	08/11/16	56141
REV	DESCRIPTION	BY	DATE	ECO NO.